

DESIGNER LINE DISPLAY FREEZER

Model: DL3F-GD-HD

Designer Line

3-Section Display Reach-In Freezer with Hinged Glass Doors

DL3F-GD-HD - Stainless steel front, aluminum end panels and interior
DL3F-SA-GD-HD - Stainless steel exterior, aluminum interior
DL3F-SS-GD-HD - Stainless steel exterior and interior



Options and Accessories

(upcharge and lead times may apply)

Stainless steel case back	Casters
Additional epoxy coated steel shelves	Full doors
Chrome or stainless steel shelves	Special electrical req. (consult factory)
Rehinging of doors (consult factory)	Shallow depth (consult factory)
Pan slide assemblies	Pass-thru (consult factory)
Solid doors (consult factory)	Increased refrigeration system

Consult factory for other model configurations, options and accessories.

Project Name:

Model Specified:

Location:

Item No:

Quantity:

AIA #:

SIS #:

Standard Model Features

REFRIGERATION SYSTEM

Self contained, performance rated "plug" refrigeration system
 Environmentally-safe R-404A refrigerant
 Refrigeration system is readily accessible on top of cabinet, separate from the "food zone"
 Automatic, hot gas condensate evaporator
 Expansion valve system

CABINET ARCHITECTURE

3" non-CFC polyurethane foam insulation
 Triple-pane, tempered hinged glass doors
 Chrome-plated handles
 Cam action, lift-off hinges
 Self-closing doors
 Magnetic snap in door gaskets
 Cylinder lock in each door
 Heavy duty, epoxy coated steel shelves
 Heavy duty pilaster strips
 Adjustable 6" stainless steel legs

MODEL FEATURES

LED interior lighting
 Top and side air distribution ducts
 Automatic electric defrost
 Cabinet upper side panels and refrigeration "plug" system can be removed and reinstalled at job site
 Electronic controller with digital display & hi-low alarm

Continental
 Refrigerator

Toll-Free: 800-523-7138
 Phone: 215-244-1400
 Fax: 215-244-9579

539 Dunksferry Road
 Bensalem, PA 19020
www.continentalrefrigerator.com

APPROVAL:

Model Specifications

DIMENSIONAL DATA

Net Capacity (cubic feet)	72 (2039 cu l)
Width, Overall (inches)	78 (1981 mm)
Depth, Overall (including handles) (inches)	35 3/8 (899 mm)
Depth [less doors] (inches)	32 (813 mm)
Depth [doors open 90°] (inches)	55 1/2 (1410 mm)
Clear Door Width (inches)	19 3/8 (492 mm)
Clear Door Height (inches)	58 5/8 (1489 mm)
Height, Overall (including 6" legs) (inches)	88 1/4 (2242 mm)
Number of Doors	3
Number of Shelves	12
Shelf Area (square feet)	71.4 (6.6 sq m)
Tray Slide Capacity	24 ea.

REFRIGERANT DATA

Condensing Unit Size (H.P.)	1 1/2
Capacity (BTU per hour)*	6050

ELECTRICAL DATA

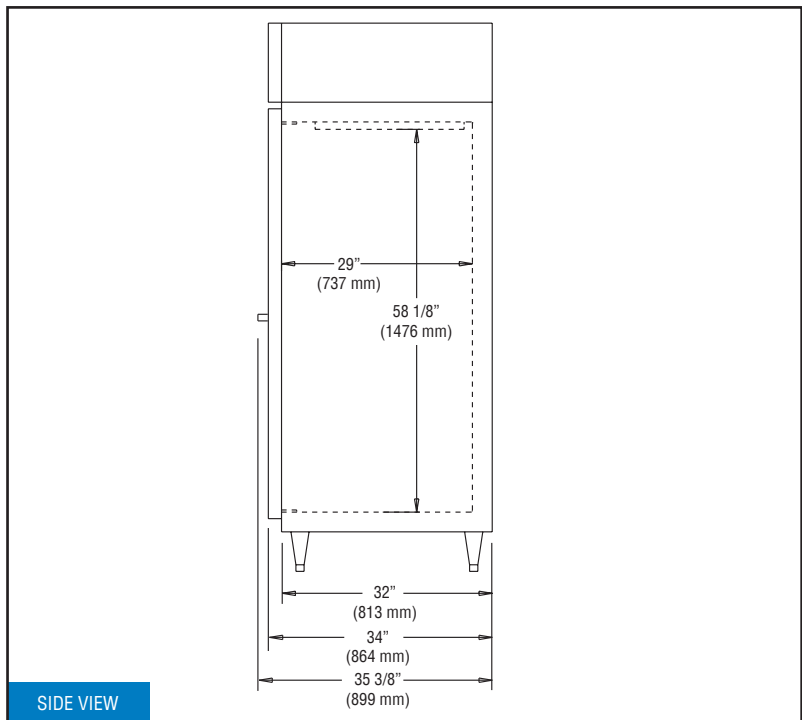
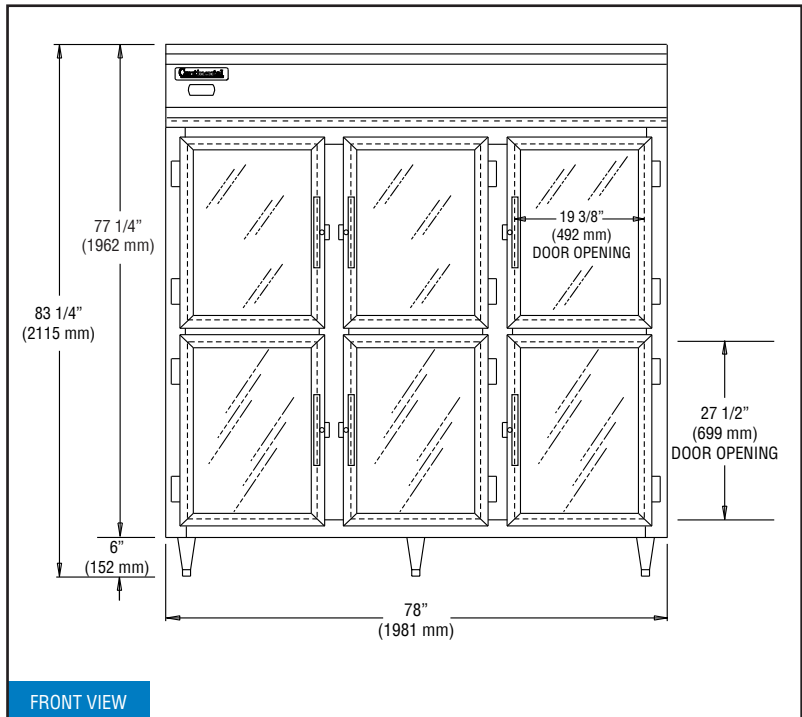
Voltage (International)	115/208-230/60/1 (220/50/1)
Feed Wires (including ground)	4
Total Amps (International)	22.5 (19.5)
Defrost Amps (International)	9.6 (4.8)
10 ft. Cord/Plug (International)	No (No)

SHIPPING DATA

Height - Crated (inches)	85 1/2 (2172 mm)
Width - Crated (inches)	90 (2286 mm)
Depth - Crated (inches)	42 (1067 mm)
Volume - Crated (cubic feet)	187 (5295 cu l)
Weight Std - Crated (pounds)	820 (372 kg)
Weight SS - Crated (pounds)	935 (424 kg)
Weight Std - Uncrated (pounds)	620 (281 kg)
Weight SS - Uncrated (pounds)	735 (333 kg)

* Rating @ -15°F evaporator, 90°F ambient
 Figures in parentheses reflect metric equivalents rounded to the nearest whole unit.

Model Plan Views



IMPORTANT NOTE: If the cabinet is located directly against a wall and/or under a low ceiling, a minimum clearance of 12" is required.



Toll-Free: 800-523-7138
 Phone: 215-244-1400
 Fax: 215-244-9579

539 Dunksferry Road
 Bensalem, PA 19020
www.continentalrefrigerator.com

Due to our continued efforts in developing innovative products, specifications subject to change without notice.

